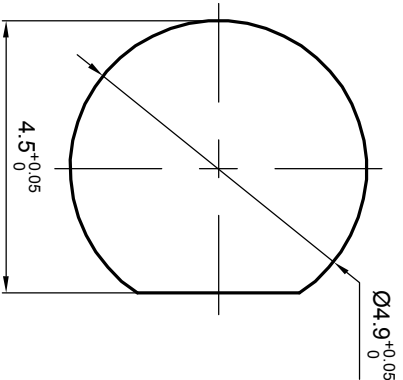


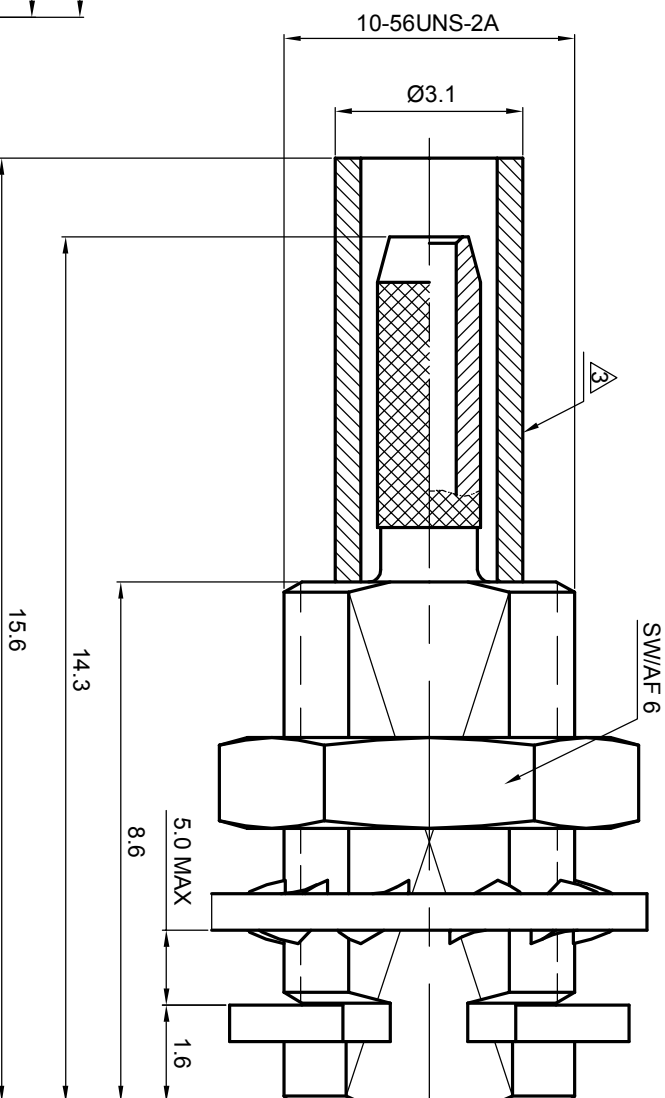
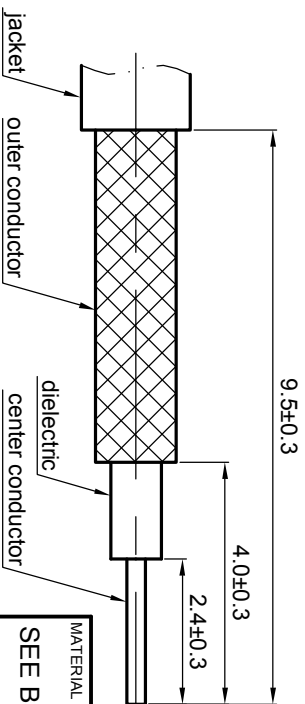
NOTES: (UNLESS OTHERWISE SPECIFIED)

1. Interface comply with IEC 61169-36.
2. Part must be packaged to avoid any damaged during transportation.

A After crimping dimension should be AF/SW 2.67.



Recommended cable stripping dirms



REV.	DESCRIPTION	APPROVED	DATE	EON
A	REL. TO PRODUCTION	Johnny	7 Jul 08	EON_08_031

MATERIAL		TOLERANCES		THIRD ANGLE PROJECTION		TITLE	
SEE BOM OF DETAILS		Opface X ±1 1place X ±0.1 2place XX ±0.05 Angle ±5°				Zeeteq	
SEE BOM OF DETAILS		Remove burrs and sharp edges 		GENERAL ECCENTRICITY ∇ 0.06		MCX,jack,cable	
FINISH		DRAWN BY		NAME		DATE	
SEE BOM OF DETAILS		Billy Lei		13 Dec 07		7 Jul 08	
Plating part to be touched by gloves		CHECKED BY		JOY		7 Jul 08	
Dimension apply before plating		APPROVED BY		JOHNNY		7 Jul 08	
XXX - measuring point for plating		SCALE		DO NOT SCALE DRAWING		SIZE	
SURFACE		VOLUME		8:1		A4	
NOTICE: Those drawings and specifications are the property of ZEETEQ CORPORATION and used only for the specify purpose authorised by ZEETEQ		DWG. NO.		5100.MCX.JSC.05.111		REV.	
						A	



D

C

B

A

1

2

3

4

5

6

1

2

3

4

5

6