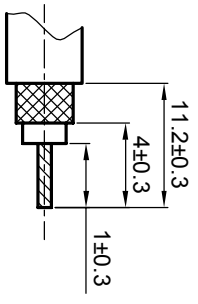
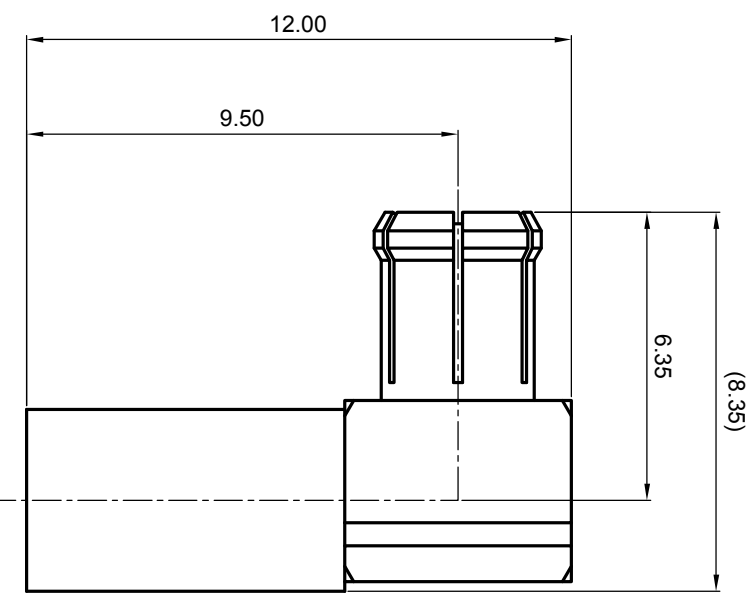


NOTES: (UNLESS OTHERWISE SPECIFIED)

- Interface according to IEC1169-36.
- Part must be packaged to avoid any damages during transportation.



REV.	DESCRIPTION	APPROVED	DATE	ECN

MATERIAL	SEE BOM
FINISH	SEE BOM
Plating part to be touched by gloves	
Dimension apply before plating	
XXX - measuring point for plating	
SURFACE	VOLUME

TOLERANCES	X ±1 1place X ±0.1 2place .XX ±0.05 Angle ±5°
Remove burrs and sharp edges	

THIRD ANGLE PROJECTION	
GENERAL ECCENTRICITY	<input checked="" type="checkbox"/> 0.06
DRAWN BY	Joy Zhou 12Dec07
CHECKED BY	
APPROVED BY	

TITLE		MCMX, PLUG, ANGLE	
DWG. NO.		5098.MCX.PRC.07.111	
SCALE	10:1	DO NOT SCALE DRAWING	SIZE A4
REV.	S1	SHEET	1 of 1

