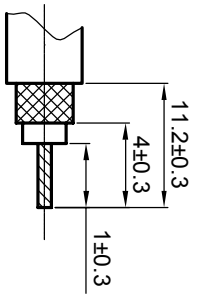
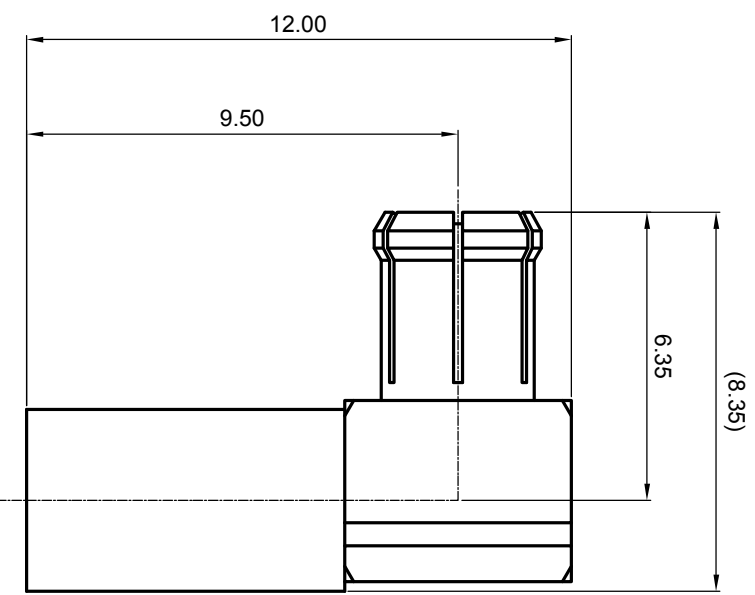


NOTES: (UNLESS OTHERWISE SPECIFIED)

- Interface according to IEC1169-36.
- Part must be packaged to avoid any damages during transportation.



REV.	DESCRIPTION	APPROVED	DATE	ECN

MATERIAL		SEE BOM		THIRD ANGLE PROJECTION		TITLE	
FINISH		SEE BOM					
TOLERANCES		Opface X ±1 1place .X ±0.1 2place .XX ±0.05 Angle ±5°		GENERAL ECCENTRICITY <input checked="" type="checkbox"/> 0.06		DWG NO. 5097.MCX.PRC.06.111	
SURFACE		SEE BOM		DRAWN BY Joy zhou 12Dec07		SCALE 10:1	
VOLUME		SEE BOM		CHECKED BY APPROVED BY		DO NOT SCALE DRAWING	
SURFACE		SEE BOM		REMOVE BURRS AND SHARP EDGES 		SIZE A4	
SURFACE		SEE BOM		NOTICE: Those drawings and specifications are the property of ZEETEQ CORPORATION and used only for the specify purpose authorised by ZEETEQ		SHEET 1 of 1	
SURFACE		SEE BOM		REMOVE BURRS AND SHARP EDGES 		REV. S1	

