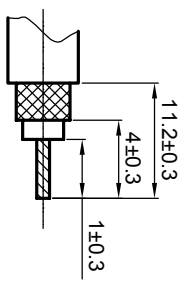
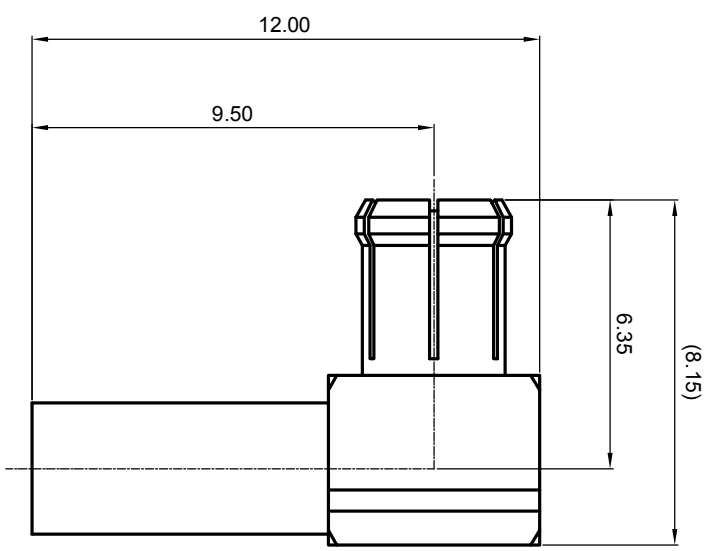


**NOTES: (UNLESS OTHERWISE SPECIFIED)**

- Interface according to IEC1169-36.
- Part must be packaged to avoid any damages during transportation.

REV.	DESCRIPTION	APPROVED	DATE	ECN



MATERIAL		TOLERANCES		THIRD ANGLE PROJECTION		TITLE	
SEE BOM		Optance X ±1 1place X ±0.1 2place .XX ±0.05 Angle ±5°				<b>Zeeteq</b>	
FINISH		Remove burrs and sharp edges		GENERAL ECCENTRICITY		DWG. NO.	
SEE BOM		-0.1 +0.1		<input checked="" type="checkbox"/> 0.06		5096.MCX.PRC.06.111	
Plating part to be touched by gloves		DRAWN BY		NAME		REV.	
Dimension apply before plating		Joy Zhou		DATE		S1	
XXX - measuring point for plating		CHECKED BY		APPROVED BY		SCALE	
SURFACE		VOLUME		NOTICE: Those drawings and specifications are the property of ZEETEQ CORPORATION and used only for the specify purpose authorised by ZEETEQ		10:1	
						DO NOT SCALE DRAWING	
						SIZE	
						A4	
						SHEET	
						1 of 1	

