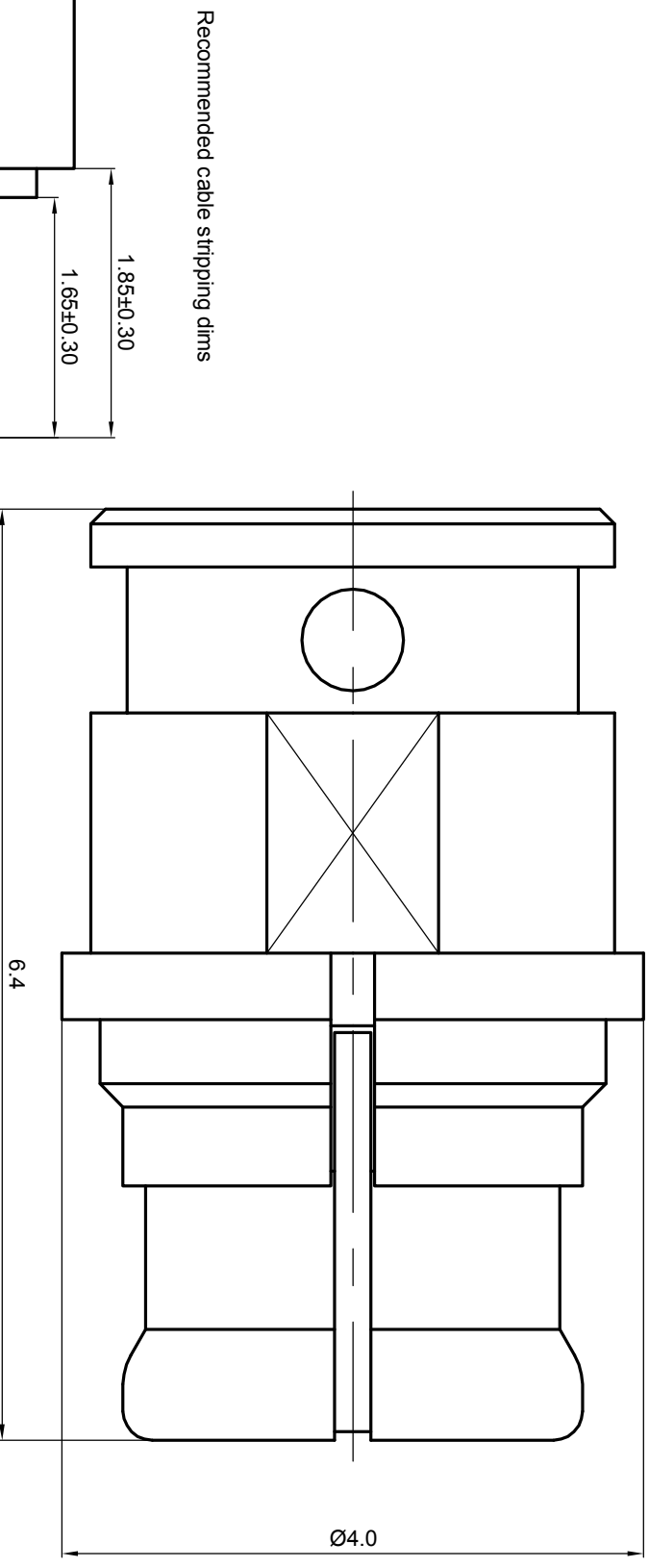


NOTES: (UNLESS OTHERWISE SPECIFIED)

- Interface comply with MIL-STD-348A.
- Part must be packaged to avoid any damaged during transportation.



MATERIAL		SEE BOM OF DETAILS	
FINISH		SEE BOM OF DETAILS	
Plating part to be touched by gloves			
Dimension apply before plating			
XXX - measuring point for plating			
SURFACE		VOLUME	
TOLERANCES		Remove burrs and sharp edges	
0place	X ±1		
1place	X ±0.1		
2place	XX ±0.05		
Angle	±5°		
THIRD ANGLE PROJECTION			
GENERAL ECCENTRICITY		<input checked="" type="checkbox"/> 0.06	
DRAWN BY	NAME	DATE	
Billy Lei	Billy Lei	5 Nov 07	
CHECKED BY	NAME	DATE	
Joy	Joy	28 Nov 07	
APPROVED BY	NAME	DATE	
Johnny	Johnny	28 Nov 07	

Zeeteq

SMP, jack, cable

DWG. NO. 5114.SMP.JSC.02.111

SCALE	DO NOT SCALE DRAWING	SIZE	SHEET
20:1		A4	1 of 1
REV.			A

REV.	DESCRIPTION	APPROVED	DATE	EON
A	REL. TO PRODUCTION	Johnny	28 Nov 07	

