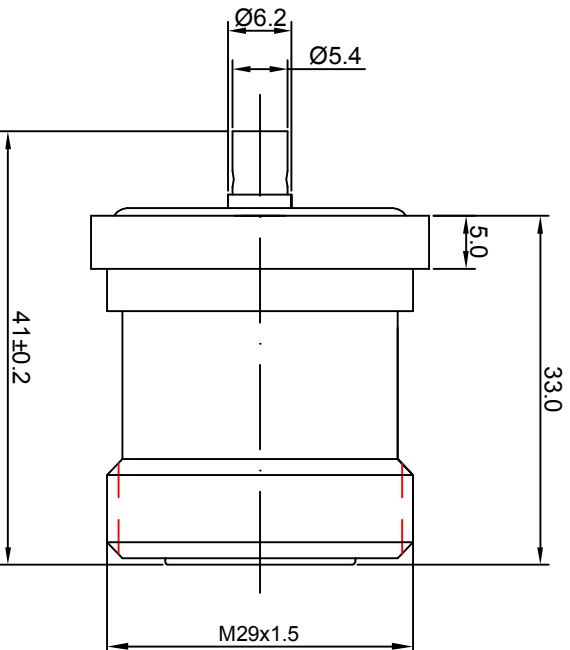
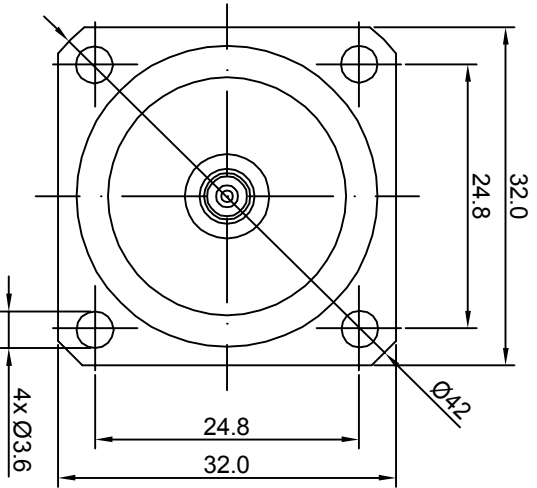
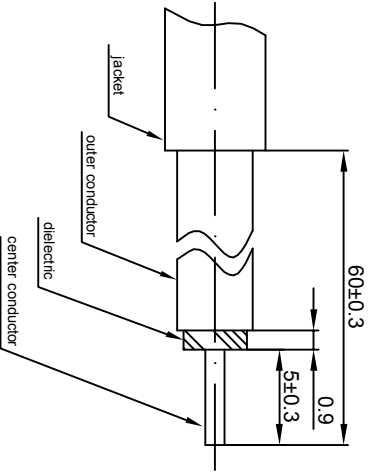


NOTES: (UNLESS OTHERWISE SPECIFIED)

- 1 interface comply with IEC169-4
- 2 part must be packaged to avoid any damages during transportation



cable stripping dimension
scale 3:1



REV.	DESCRIPTION	APPROVED	DATE	ECN
A	Rel to production	Johnny	03Aug07	

MATERIAL		THIRD ANGLE PROJECTION		TITLE	
FINISH				<h1 style="text-align: center;">Zeeteq</h1>	
Plating part to be touched by gloves Dimension apply before plating XXX - measuring point for plating		TOLERANCES 0place X ±1 1place X ±0.1 2place .XX ±0.05 Angle ±5°	DRAWN BY Colin Dai 26Jul07	NAME Colin Dai DATE 26Jul07	DWG NO. 5082.716.JSC.03.230
Remove burrs and sharp edges 		CHECKED BY Joy Zhou 26Jul07	APPROVED BY Johnny 26Jul07	NOTICE: Those drawings and specifications are the property of ZEETEQ CORPORATION and used only for the specify purpose authorised by ZEETEQ	SCALE 3:2 DO NOT SCALE DRAWING
SURFACE		VOLUME		SIZE A4	
1		2		SHEET 1 of 1	

