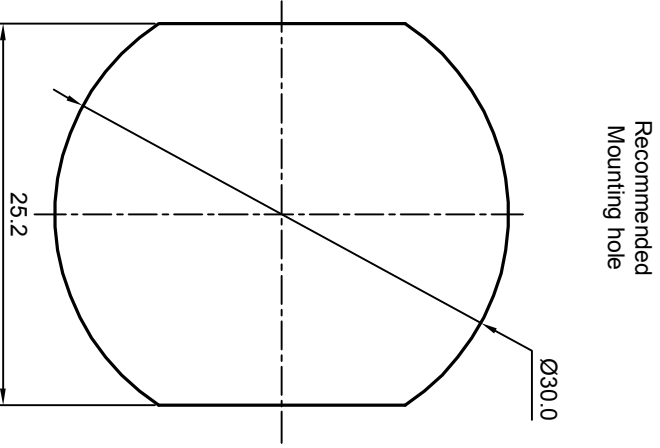
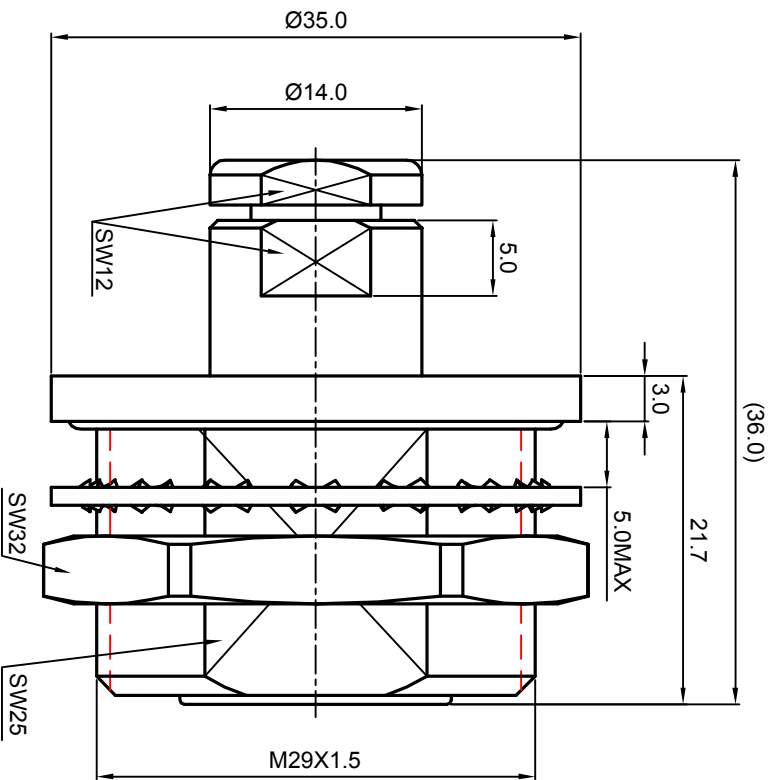
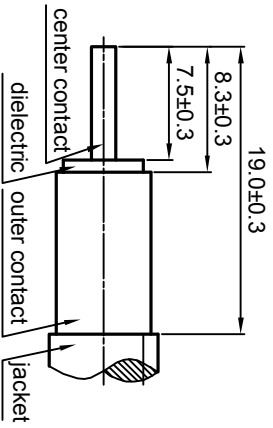


**NOTES: (UNLESS OTHERWISE SPECIFIED)**

1. The interface comply with IEC 169-4.
2. Part must be packaged to avoid any damaged during transportation.



**RECOMMENDED CABLE STRIPPING DIMENSIONS**



REV.	DESCRIPTION	APPROVED	DATE	ECN

MATERIAL		TOLERANCES		THIRD ANGLE PROJECTION		TITLE	
SEE BOM FOR DETAILS		Ø place X ±1	Ø place .XX ±0.05			<h1 style="color: red;">Zeeteq</h1>	
FINISH		Remove burrs and sharp edges		GENERAL ECCENTRICITY		7/16, JACK, CABLE MOUNT	
SEE BOM FOR DETAILS				<input checked="" type="checkbox"/> 0.06		DWG NO.	
Plating part to be touched by gloves				DRAWN BY		52333.716.JSC.04.233	
Dimension apply before plating				NAME		REV.	
XXX - measuring point for plating				DANNY.D		S1	
SURFACE		NOTICE: Those drawings and specifications are the property of ZEETEQ CORPORATION and used only for the specify purpose authorised by ZEETEQ		DATE		SCALE	
VOLUME		APPROVED BY		28Dec07		DO NOT SCALE DRAWING	
						SIZE	
						A4	
						SHEET	
						1 of 1	