

NOTES: (UNLESS OTHERWISE SPECIFIED)

1. The interface comply with IEC 169-4.
2. Part must be packaged to avoid any damaged during transportation.

1

2

3

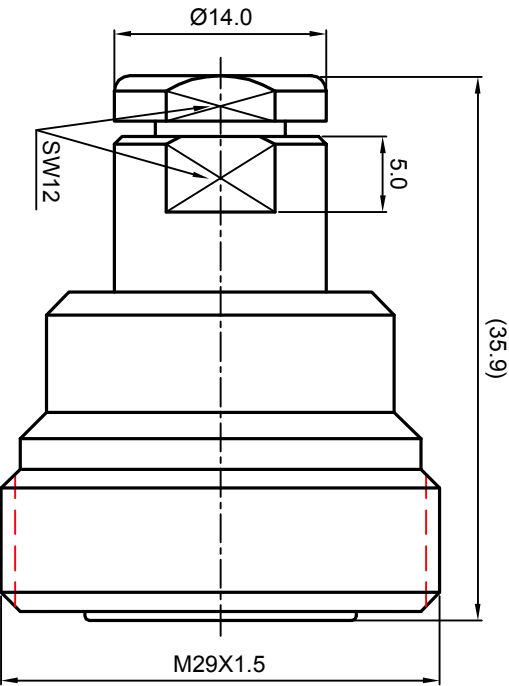
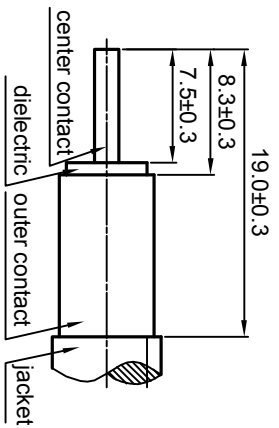
4

5

6

REV.	DESCRIPTION	APPROVED	DATE	ECN

RECOMMENDED CABLE STRIPPING DIMENSIONS



1.6

MATERIAL SEE BOM FOR DETAILS		TOLERANCES Oplacement X ±1 1place .X ±0.1 2place .XX ±0.05 Angle ±5°		THIRD ANGLE PROJECTION GENERAL ECCENTRICITY <input checked="" type="checkbox"/> 0.06	
FINISH SEE BOM FOR DETAILS		Remove burrs and sharp edges 		DRAWN BY: Danny.D DATE: 28Dec07	
Plating part to be touched by gloves		Plating part to be touched by gloves		CHECKED BY:	
Dimension apply before plating		Dimension apply before plating		APPROVED BY:	
XXX - measuring point for plating		XXX - measuring point for plating		NAME:	
SURFACE		VOLUME		DATE:	

NOTICE: Those drawings and specifications are the property of ZEETEQ CORPORATION and used only for the specify purpose authorised by ZEETEQ

Zeeteq

TITLE
 7/16, JACK, CABLE MOUNT

DWG NO.
 5231.716.JSC.04.233

SCALE: 2:1
 DO NOT SCALE DRAWING
 SIZE: A4
 SHEET: 1 of 1
 REV: S1

A

B

C

D

1

2

3

4

5

6

A

B

C

D

1

2

3

4

5

6

A

B

C

D

1

2

3

4

5

6

A

B

C

D

1

2

3

4

5

6

A

B

C

D

1

2

3

4

5

6