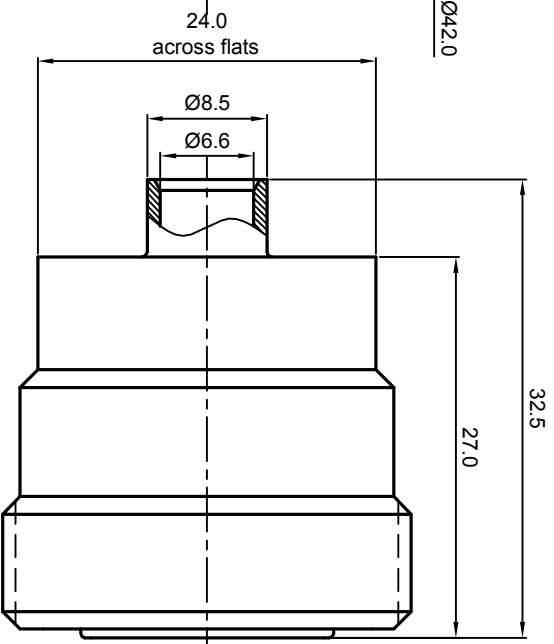
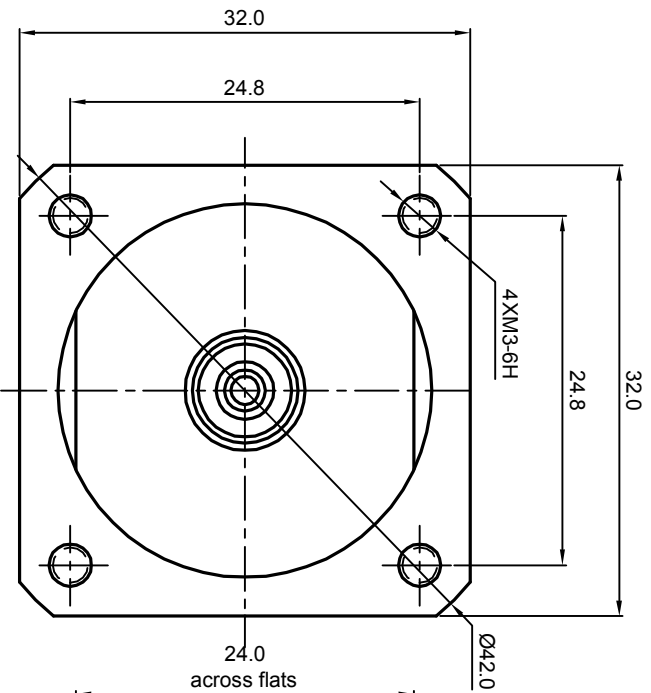
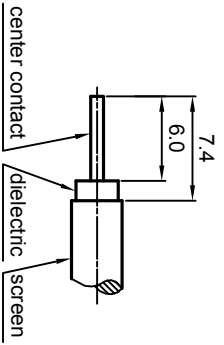


NOTES: (UNLESS OTHERWISE SPECIFIED)

1. The interface comply with IEC169-4



RECOMMENDED CABLE STRIPPING DIMENSIONS



REV.	DESCRIPTION	APPROVED	DATE	ECN

MATERIAL		THIRD ANGLE PROJECTION		TITLE	
SEE BOM FOR DETAILS				Zeeteq	
FINISH		GENERAL ECCENTRICITY		DWG NO.	
SEE BOM FOR DETAILS		0.06		5076.716.JSC.04.220	
TOLERANCES		NAME		SCALE	
1place X ±1 2place .XX ±0.1 Angle ±5°		Joy Zhou		2:1	
Remove burrs and sharp edges		DATE		DO NOT SCALE DRAWING	
-0.2 +0.2		18Apr08		SIZE	
Plating part to be touched by gloves		CHECKED BY		A4	
Dimension apply before plating		APPROVED BY		SHEET	
XXX - measuring point for plating				1 of 1	
SURFACE				REV.	
VOLUME				S1	
NOTICE: Those drawings and specifications are the property of ZEETEQ CORPORATION and used only for the specify purpose authorised by ZEETEQ					

1.6