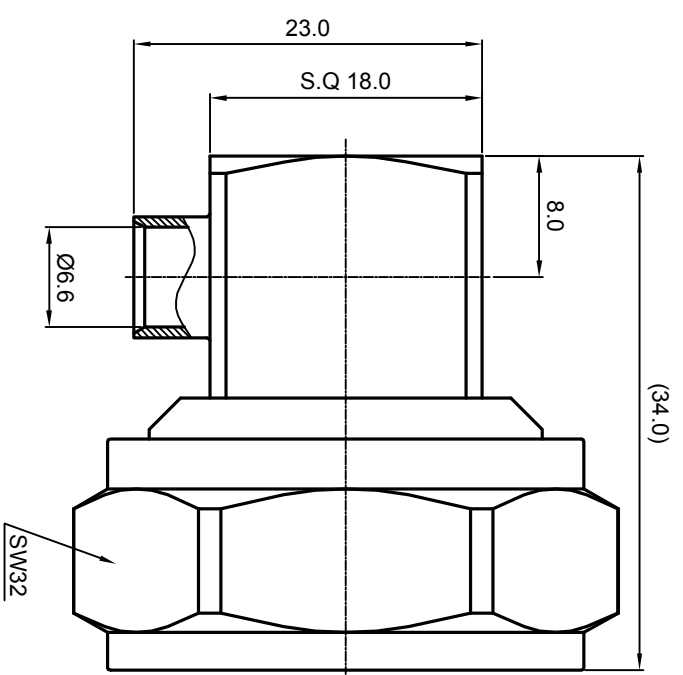
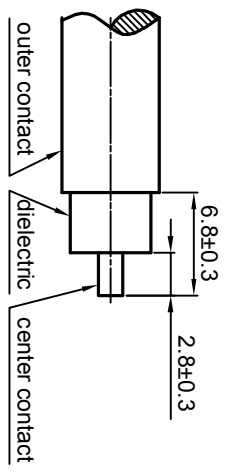


NOTES: (UNLESS OTHERWISE SPECIFIED)

1. The interface comply with IEC169-4
2. Part must be packaged to avoid any damaged during transportation.

REV.	DESCRIPTION	APPROVED	DATE	EON

RECOMMENDED CABLE STRIPPING DIMENSIONS



1.6

MATERIAL SEE BOM FOR DETAILS		TOLERANCES Oplate X ±1 1place X ±0.1 2place XX ±0.05 Angle ±5°		THIRD ANGLE PROJECTION 		TITLE 7/16, PLUG, ANGLE	
FINISH SEE BOM FOR DETAILS		Remove burrs and sharp edges 		GENERAL ECCENTRICITY <input checked="" type="checkbox"/> 0.06		DWG. NO. 5072.716.PRC.04.233	
Plating part to be touched by gloves Dimension apply before plating XXX - measuring point for plating		DRAWN BY Danny.D 29Nov07		NAME Danny.D		DATE 29Nov07	
SURFACE		CHECKED BY		APPROVED BY		SCALE 2:1	
VOLUME		NOTICE: Those drawings and specifications are the property of ZEETEQ CORPORATION and used only for the specify purpose authorised by ZEETEQ		DO NOT SCALE DRAWING		SIZE A4	
SEE BOM FOR DETAILS		REV.		SHEET		1 of 1	

