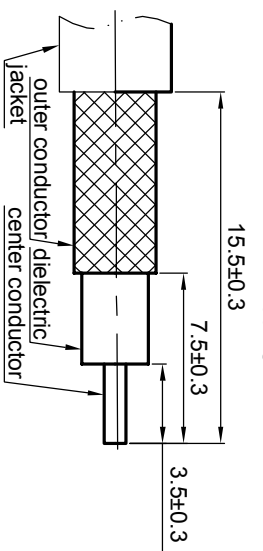
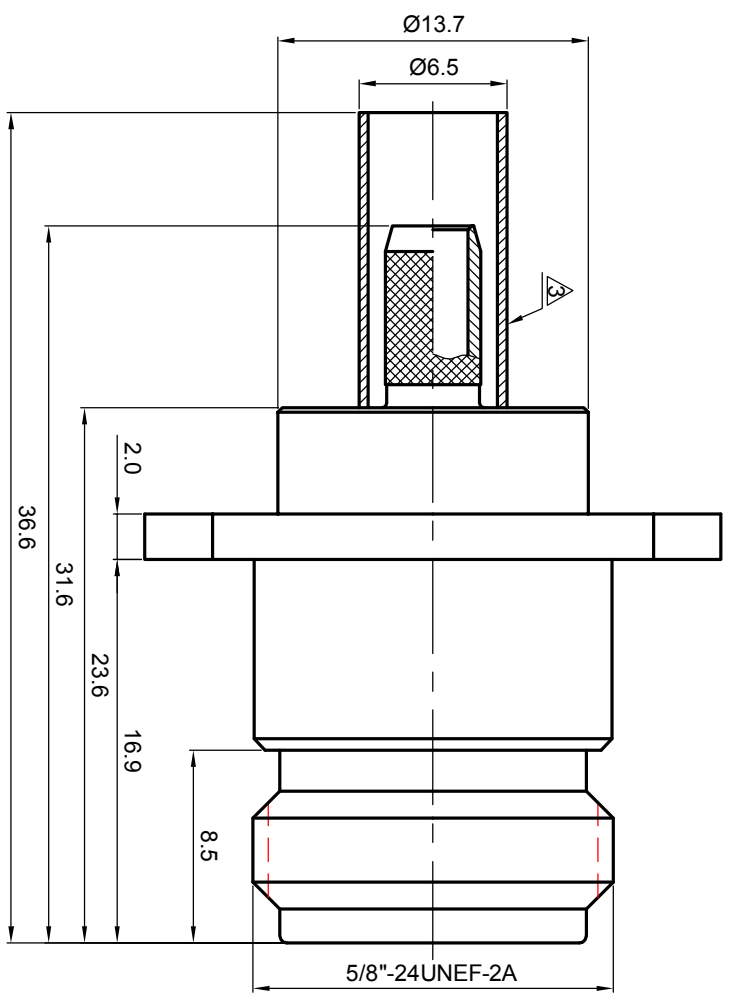
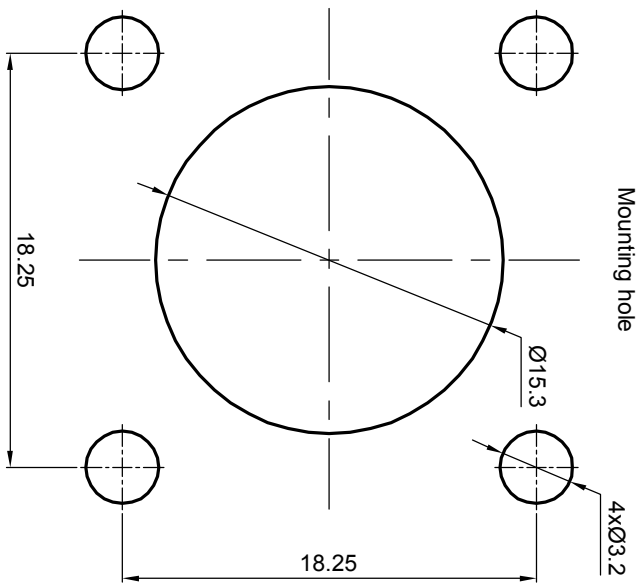


NOTES: (UNLESS OTHERWISE SPECIFIED)

- Interface comply with IEC 169-16.
 - Part must be packaged to avoid any damaged during transportation.
- ⚠ After crimping dimension should be A/F/SW 5.41.



Recommended cable stripping dims

1	2	3	4	5	6
---	---	---	---	---	---

MATERIAL		SEE BOM OF DETAILS
FINISH		SEE BOM OF DETAILS
Plating part to be touched by gloves		
Dimension apply before plating		
XXX - measuring point for plating		
SURFACE	VOLUME	

TOLERANCES		Opface X ±1 1place X ±0.1 2place XX ±0.05 Angle ±5°
Remove burrs and sharp edges		

THIRD ANGLE PROJECTION		
GENERAL ECCENTRICITY		0.06
DRAWN BY	NAME	DATE
Billy		190c107
CHECKED BY		
APPROVED BY		

TITLE		Zeeteq	
N,jack, cable			
DWG NO.		5068.N.JSC.09.133	
SCALE	DO NOT SCALE DRAWING	SIZE	SHEET
3:1		A4	1 of 1
REV.		S1	

REV.	DESCRIPTION	APPROVED	DATE	ECN

1	2	3	4	5	6
---	---	---	---	---	---