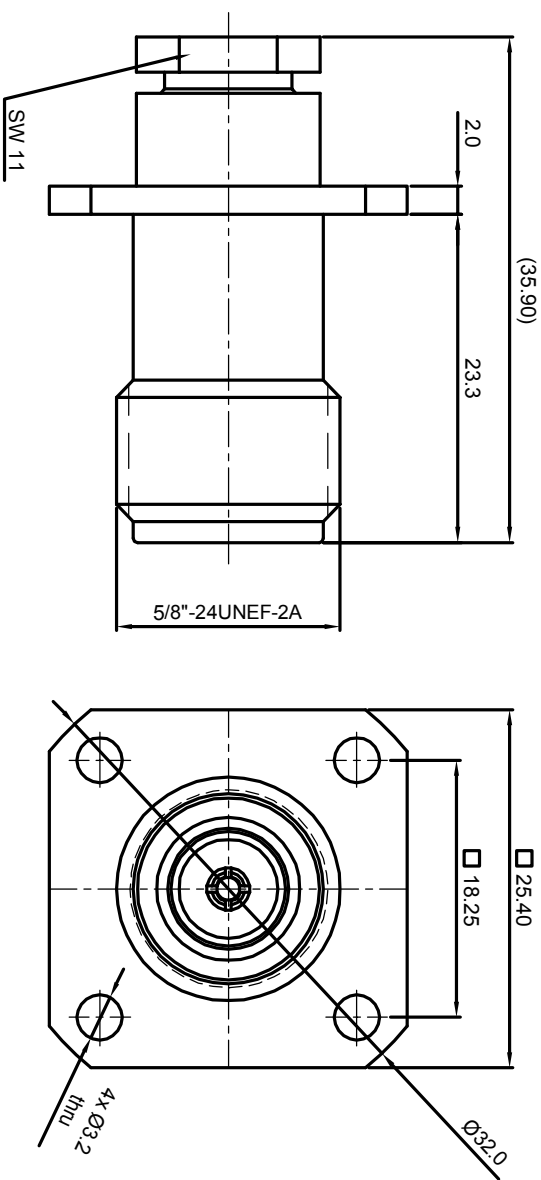


REV.	DESCRIPTION	APPROVED	DATE	ECN

NOTES: (UNLESS OTHERWISE SPECIFIED)

1. Making according to IEC169-16.
2. Part must be packaged to avoid any damages during transportation.



1.6

MATERIAL		THIRD ANGLE PROJECTION		TITLE	
SEE BOM				Zeeteq	
FINISH		TOLERANCES		DRAWN BY	
SEE BOM		Oplate X ±1 1place X ±0.1 2place .XX ±0.05 Angle ±5°		NAME DATE	
Plating part to be touched by gloves		Remove burrs and sharp edges		Joy Zhou 04Jan08	
Dimension apply before plating				CHECKED BY	
XXX - measuring point for plating		GENERAL ECCENTRICITY <input checked="" type="checkbox"/> 0.06		APPROVED BY	
SURFACE		NOTICE: Those drawings and specifications are the property of ZEETEQ CORPORATION and used only for the specify purpose authorised by ZEETEQ		DWG NO.	
VOLUME		SCALE		5215.N.JSC.03.133	
		8:1		DO NOT SCALE DRAWING	
		SIZE		A4	
		SHEET		1 of 1	
		REV.		S1	

A B C D

1 2 3 4 5 6