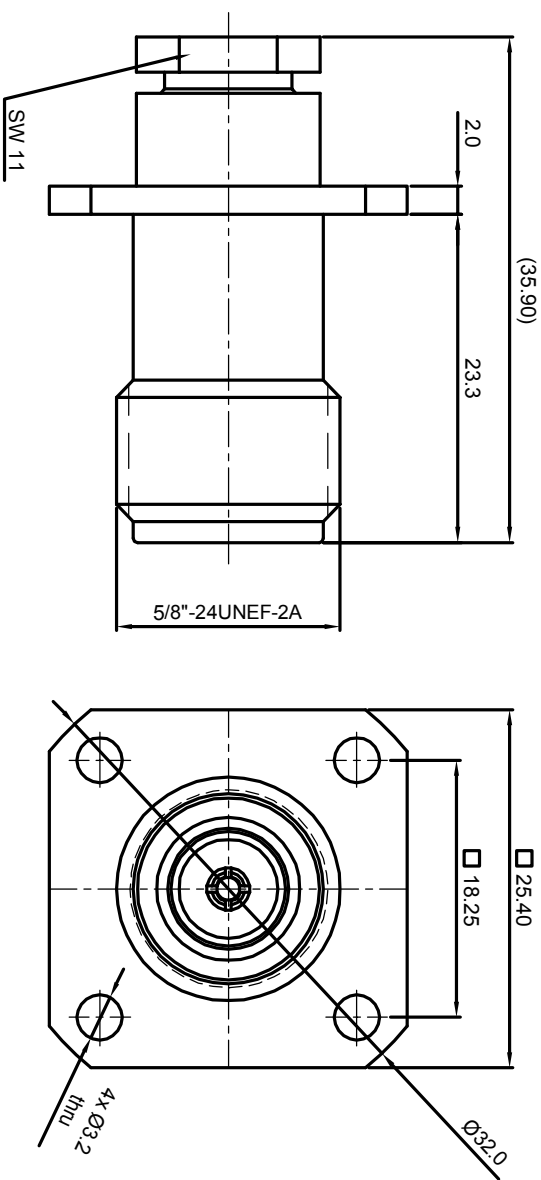


REV.	DESCRIPTION	APPROVED	DATE	ECN

NOTES: (UNLESS OTHERWISE SPECIFIED)

- Making according to IEC169-16.
- Part must be packaged to avoid any damages during transportation.



1.6

MATERIAL		THIRD ANGLE PROJECTION		TITLE	
SEE BOM				Zeeteq	
FINISH		TOLERANCES		DRAWN BY	
SEE BOM		Oplate X ±1 1place X ±0.1 2place .XX ±0.05 Angle ±5°		NAME DATE	
Plating part to be touched by gloves		Remove burrs and sharp edges		Joy Zhou 04Jan08	
Dimension apply before plating				CHECKED BY	
XXX - measuring point for plating		GENERAL ECCENTRICITY <input checked="" type="checkbox"/> 0.06		APPROVED BY	
SURFACE		SURFACE		DWG NO.	
VOLUME		VOLUME		5214.N.JSC.02.133	
NOTICE: Those drawings and specifications are the property of ZEETEQ CORPORATION and used only for the specify purpose authorised by ZEETEQ		SCALE		REV.	
		8:1		S1	
		DO NOT SCALE DRAWING		SHEET	
				1 of 1	

