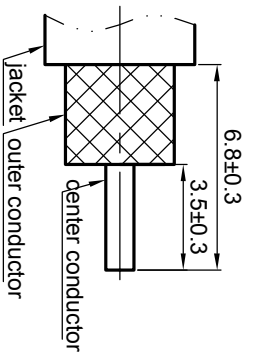
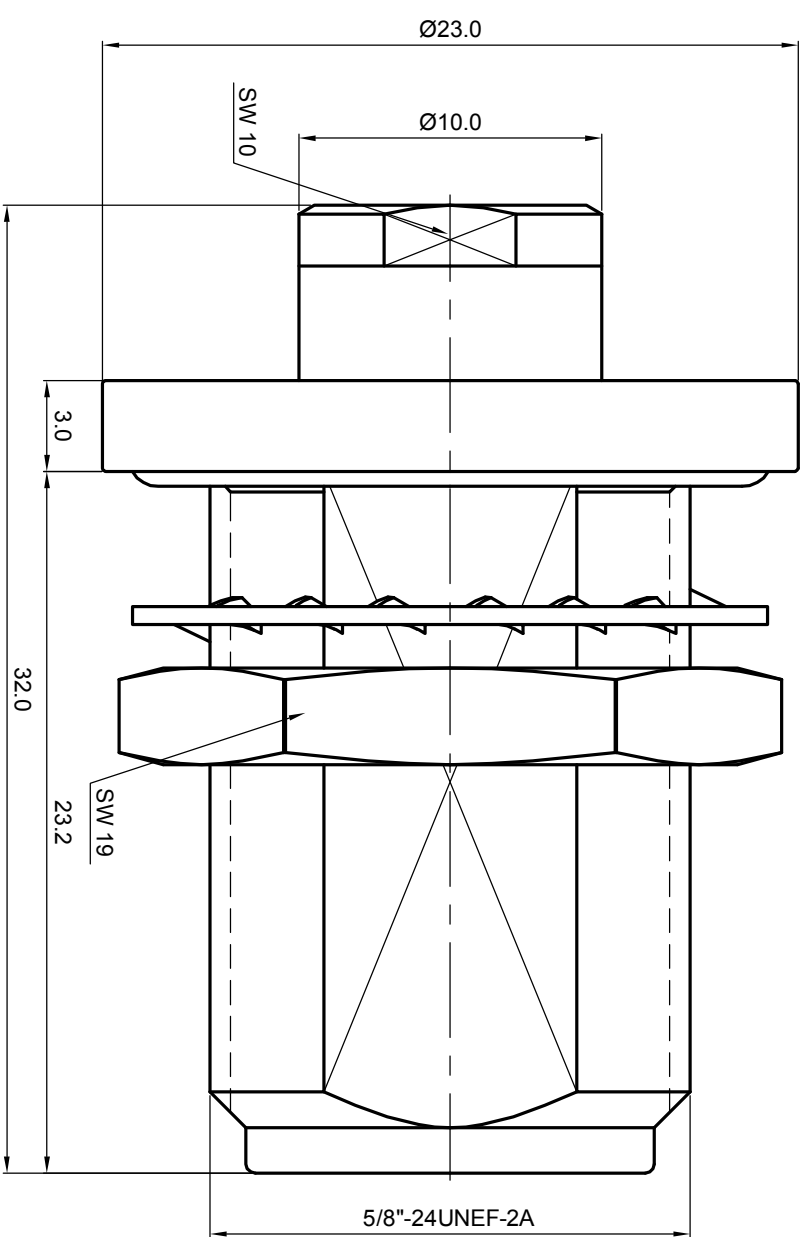
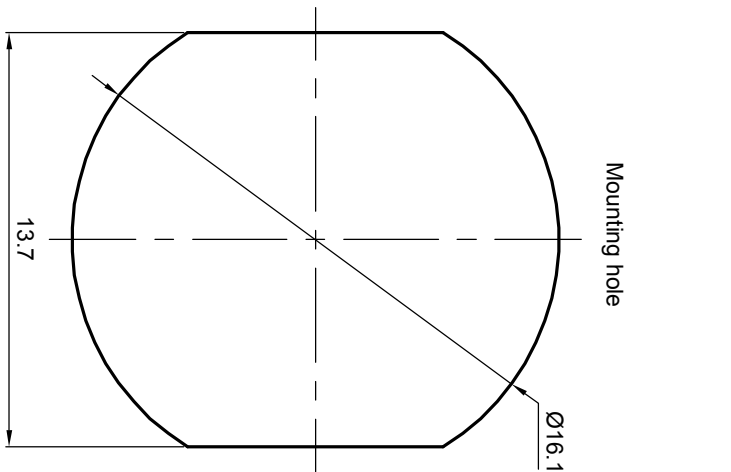


**NOTES: (UNLESS OTHERWISE SPECIFIED)**

1. Interface comply with IEC 169-16.
2. Part must be packaged to avoid any damaged during transportation.



Recommended cable stripping dims

REV.	DESCRIPTION	APPROVED	DATE	ECN

MATERIAL		SEE BOM OF DETAILS		TOLERANCES		THIRD ANGLE PROJECTION		TITLE	
SEE BOM OF DETAILS		SEE BOM OF DETAILS		Opface X ±1 1place X ±0.1 2place XX ±0.05 Angle ±5°				<b>Zee-teq</b> N,jack, cable	
FINISH		REMOVE BURRS AND SHARP EDGES		Remove burrs and sharp edges 		GENERAL ECCENTRICITY <input checked="" type="checkbox"/> 0.06		DWG NO. 5192.N.JSC.08.133	
SEE BOM OF DETAILS		Plating part to be touched by gloves Dimension apply before plating XXX - measuring point for plating		DRAWN BY Billy Lei 21 Feb 08 CHECKED BY APPROVED BY		NAME DATE		SCALE 4:1 DO NOT SCALE DRAWING	
SURFACE		VOLUME		NOTICE: Those drawings and specifications are the property of ZEE-TEQ CORPORATION and used only for the specify purpose authorised by ZEE-TEQ		SIZE A4		SHEET 1 of 1	

