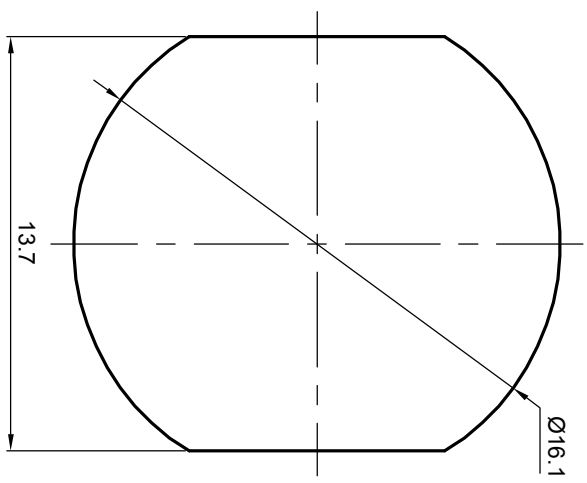


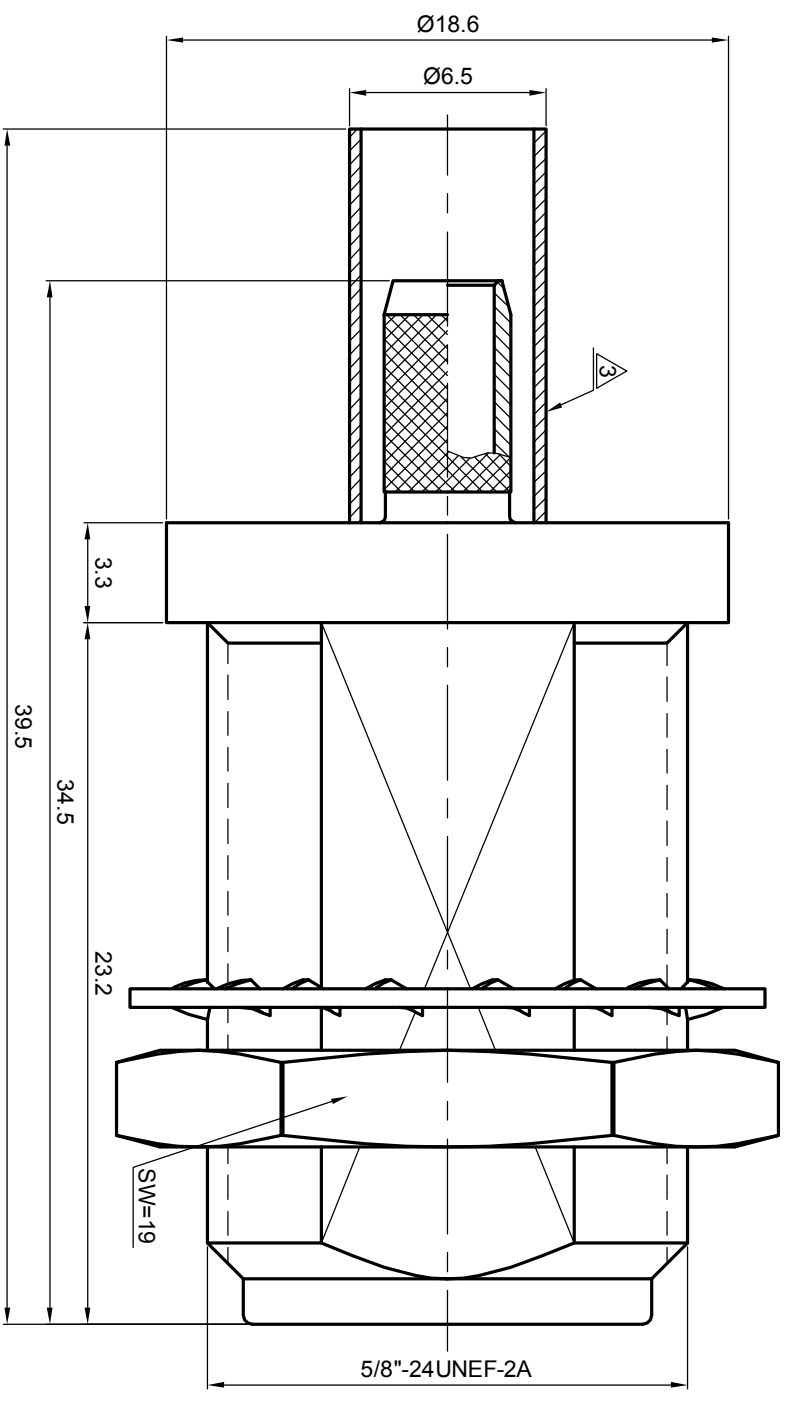
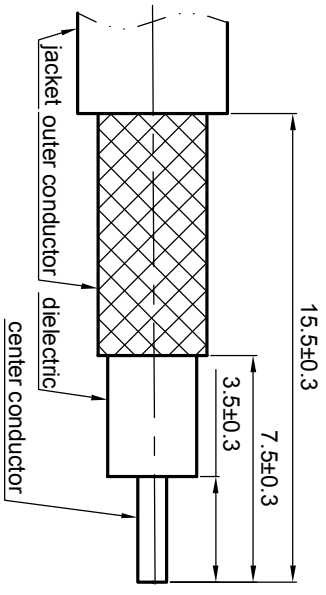
NOTES: (UNLESS OTHERWISE SPECIFIED)

- Interface comply with IEC 169-16.
- Part must be packaged to avoid any damaged during transportation.

After crimping dimension should be AF/SW 5.41.



Recommended cable stripping dims



1.6

REV.	DESCRIPTION	APPROVED	DATE	ECN

MATERIAL		SEE BOM OF DETAILS		TOLERANCES		THIRD ANGLE PROJECTION		TITLE	
SEE BOM OF DETAILS		SEE BOM OF DETAILS		Opface X ±1 1place X ±0.1 2place XX ±0.05 Angle ±5°				Zeeteq	
FINISH		Remove burrs and sharp edges		-0.2 +0.2		GENERAL ECCENTRICITY $\sqrt{0.06}$		N,jack, cable	
SEE BOM OF DETAILS		Plating part to be touched by gloves Dimension apply before plating XXX - measuring point for plating		DRAWN BY Billy CHECKED BY APPROVED BY		NAME DATE 180c107		DWG NO. 5061.N.JSC.09.133	
SURFACE		VOLUME		NOTICE: Those drawings and specifications are the property of ZEETEQ CORPORATION and used only for the specify purpose authorised by ZEETEQ		SCALE 4:1 DO NOT SCALE DRAWING		SIZE A4 SHEET 1 of 1	