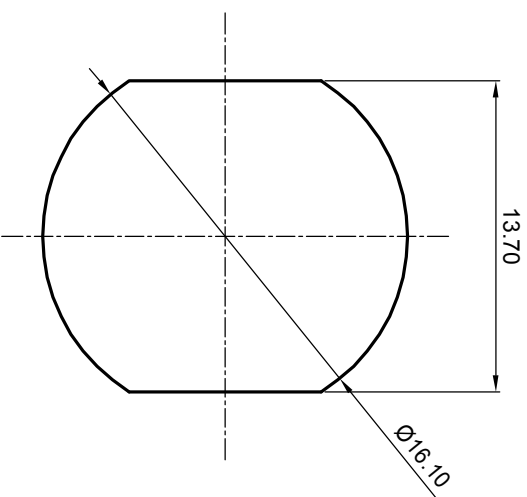
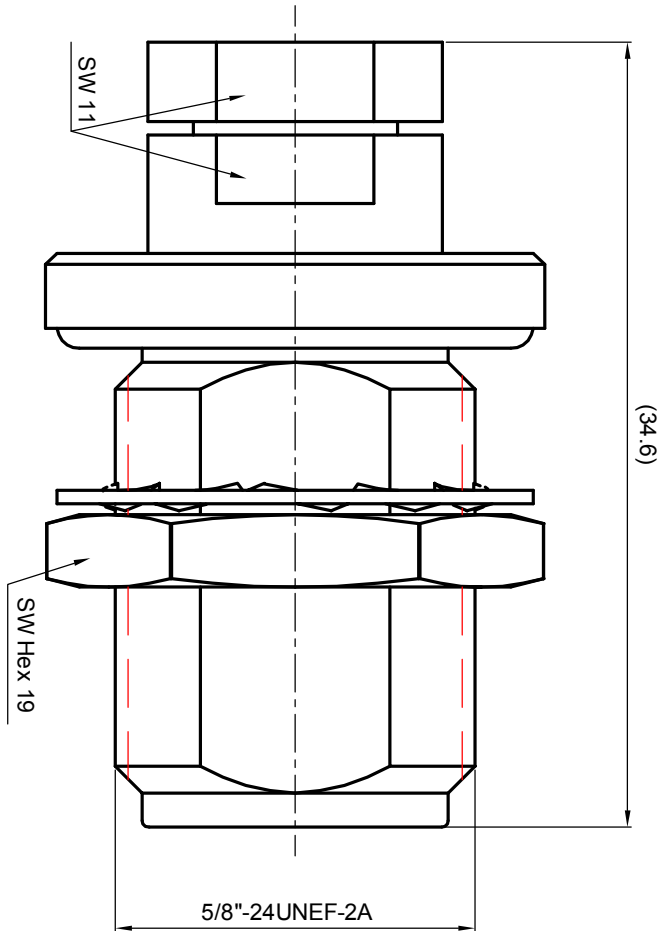


NOTES: (UNLESS OTHERWISE SPECIFIED)

REV.	DESCRIPTION	APPROVED	DATE	ENR



1.6

MATERIAL SEE BOM		TOLERANCES 1place X ±1 1place X ±0.1 2place XX ±0.05 Angle ±5°		THIRD ANGLE PROJECTION 		TITLE Zeeteq	
FINISH SEE BOM		Remove burrs and sharp edges 		GENERAL ECCENTRICITY <input checked="" type="checkbox"/> 0.06		N, JACK, CABLE	
Plating part to be touched by gloves		DRAWN BY Joy Zhou		NAME Joy Zhou		DATE 08Apr08	
Dimension apply before plating		CHECKED BY		APPROVED BY		DWG NO. 5057.N.JSC.04.233	
XXX - measuring point for plating		SURFACE		VOLUME		NOTICE: Those drawings and specifications are the property of ZEETEQ CORPORATION and used only for the specify purpose authorised by ZEETEQ.	
SCALE 8:1		DO NOT SCALE DRAWING		SIZE A4		SHEET 1 of 1	
REV. S1		REV.		REV.		REV.	