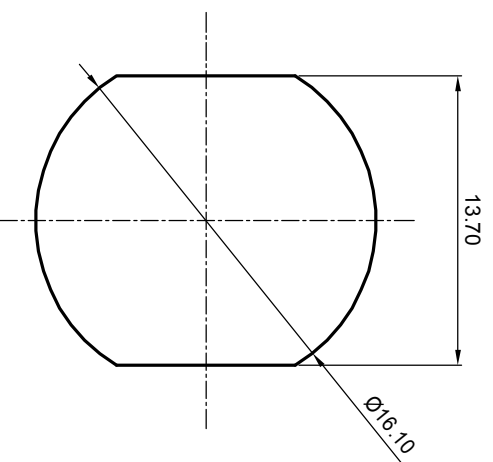
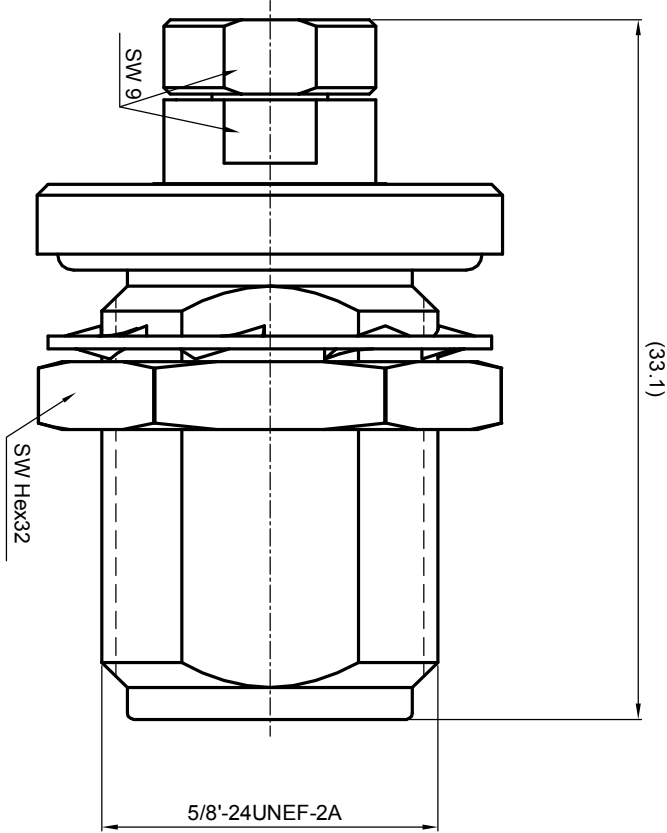


NOTES: (UNLESS OTHERWISE SPECIFIED)

1. Mating according to IEC169-16.
2. Part must be packaged to avoid any damages during transportation.

REV.	DESCRIPTION	APPROVED	DATE	ECN



Recommended hole mounting

1.6

MATERIAL SEE BOM		TOLERANCES Oplate X ±1 1place X ±0.1 2place .XX ±0.05 Angle ±5°		THIRD ANGLE PROJECTION		TITLE Zeeteq	
FINISH SEE BOM		Remove burrs and sharp edges		GENERAL ECCENTRICITY <input checked="" type="checkbox"/> 0.06		N, Jack, cable mount	
Plating part to be touched by gloves				DRAWN BY Joy Zhou		DATE 08Apr08	
Dimension apply before plating		XXX - measuring point for plating		CHECKED BY		APPROVED BY	
SURFACE		VOLUME		NOTICE: Those drawings and specifications are the property of ZEETEQ CORPORATION and used only for the specify purpose authorised by ZEETEQ		SCALE 8:1	
						DO NOT SCALE DRAWING	
						SIZE A4	
						SHEET 1 of 1	
						REV. S1	

1 2 3 4 5 6

A B C D

A B C D