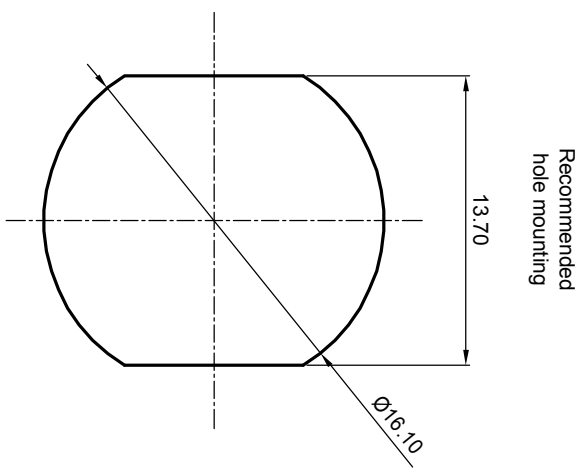
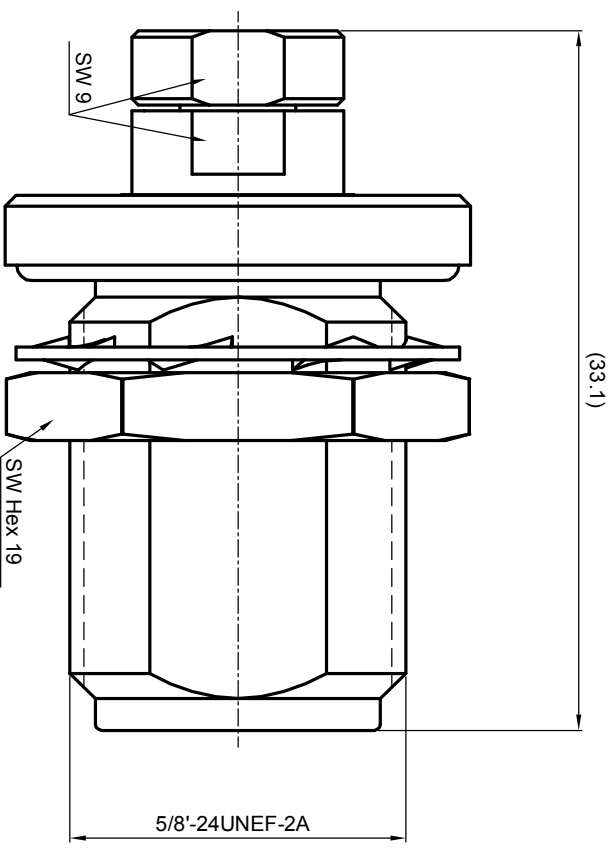


REV.	DESCRIPTION	APPROVED	DATE	ECN

NOTES: (UNLESS OTHERWISE SPECIFIED)

- Mating according to IEC169-16.
- Part must be packaged to avoid any damages during transportation.



MATERIAL SEE BOM		TOLERANCES		THIRD ANGLE PROJECTION		TITLE	
FINISH SEE BOM		Optical 1place 2place Angle	X ±1 X ±0.1 .XX ±0.05 ±5°			Zeeteq	
Plating part to be touched by gloves		Remove burrs and sharp edges		DRAWN BY	NAME	DATE	N, Jack, cable mount
Dimension apply before plating				JOY Zhou	Joy Zhou	08Apr08	
XXX - measuring point for plating		APPROVED BY		GENERAL ECCENTRICITY		0.06	
SURFACE		VOLUME		DRAWN BY		DATE	
NOTICE: Those drawings and specifications are the property of ZEETEQ CORPORATION and used only for the specify purpose authorised by ZEETEQ		SCALE		DWG NO.		REV.	
8:1		DO NOT SCALE DRAWING		5055.N.JSC.02.133		S1	
SIZE		SHEET		A4		1 of 1	

