

1

2

3

4

5

6

NOTES: (UNLESS OTHERWISE SPECIFIED)

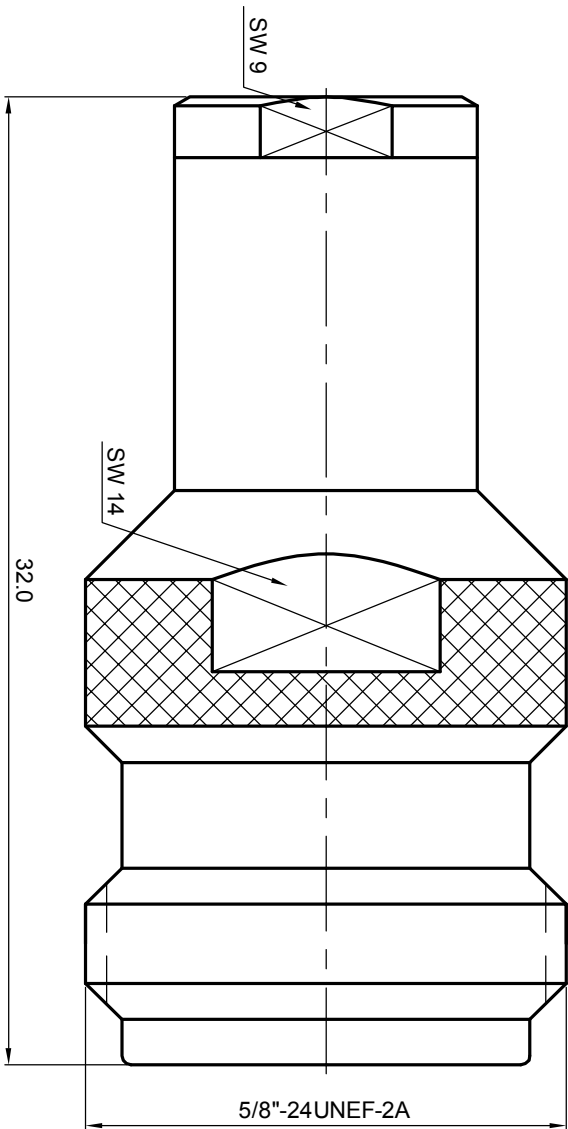
- 1. Interface comply with IEC 169-16.
- 2. Part must be packaged to avoid any damaged during transportation.

A

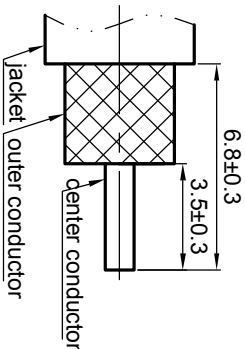
B

C

D



Recommended cable stripping dims



REV.	DESCRIPTION	APPROVED	DATE	ECN

MATERIAL SEE BOM OF DETAILS		TOLERANCES Oplace X ±1 1place .X ±0.1 2place .XX ±0.05 Angle ±5°		THIRD ANGLE PROJECTION 		TITLE Zeeteq	
FINISH SEE BOM OF DETAILS		Remove burrs and sharp edges 		GENERAL ECCENTRICITY <input checked="" type="checkbox"/> 0.06		DWG NO. 5225.N.JSC.09.133	
Plating part to be touched by gloves Dimension apply before plating XXX - measuring point for plating		DRAWN BY Billy Lei 21 Feb 08		NAME DATE		REV. S1	
SURFACE		CHECKED BY		APPROVED BY		SCALE 4:1	
VOLUME		NOTICE: Those drawings and specifications are the property of ZEETEQ CORPORATION and used only for the specify purpose authorised by ZEETEQ		DO NOT SCALE DRAWING		SIZE A4	
						SHEET 1 of 1	



1

2

3

4

5

6

A

B

C

D