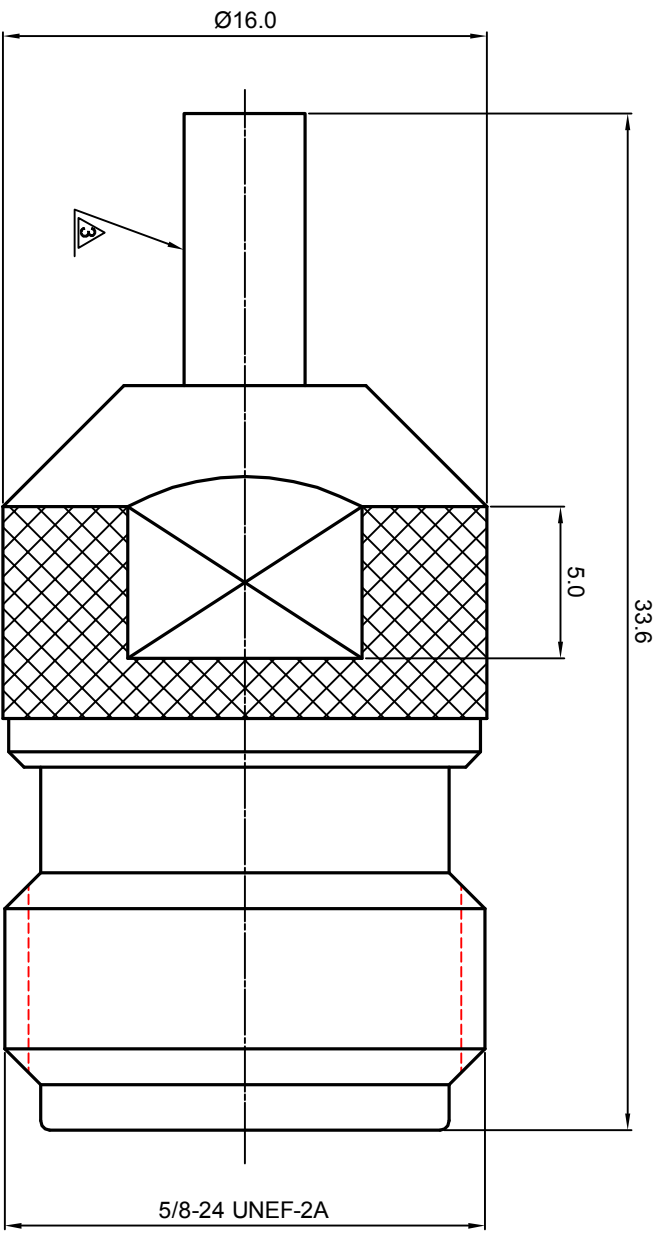


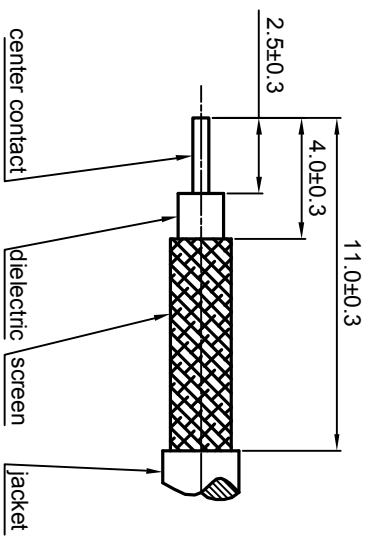
NOTES: (UNLESS OTHERWISE SPECIFIED)

- Interface comply with IEC 169-16.
 - Part must be packaged to avoid any damaged during transportation.
- After crimping dimension should be AF/SW 3.25.

REV.	DESCRIPTION	APPROVED	DATE	EON



RECOMMENDED CABLE STRIPPING DIMENSIONS



MATERIAL		SEE BOM FOR DETAILS		TOLERANCES		THIRD ANGLE PROJECTION		TITLE	
FINISH		SEE BOM FOR DETAILS		0place X ±1 1place X ±0.1 2place XX ±0.05 Angle ±5°				Zee-teq	
Plating part to be touched by gloves		Remove burrs and sharp edges				GENERAL ECCENTRICITY <input checked="" type="checkbox"/> 0.06		N, JACK, CABLE MOUNT	
Dimension apply before plating		DRAWN BY		NAME		DATE		DWG. NO.	
XXX - measuring point for plating		Danny. D		17OCT07		CHECKED BY		5209.N.JSC.06.133	
SURFACE		VOLUME		APPROVED BY		SCALE		REV.	
						4:1		S1	
						DO NOT SCALE DRAWING		SIZE	
						A4		SHEET	
								1 of 1	

NOTICE: Those drawings and specifications are the property of ZEEITEQ CORPORATION and used only for the specify purpose authorised by ZEEITEQ

