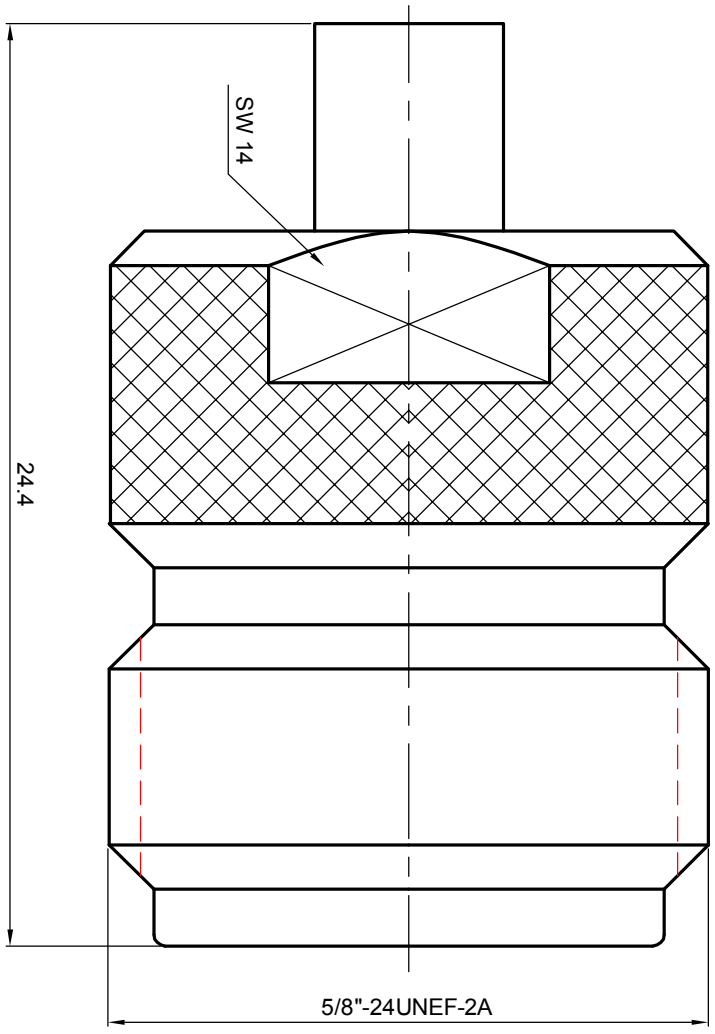
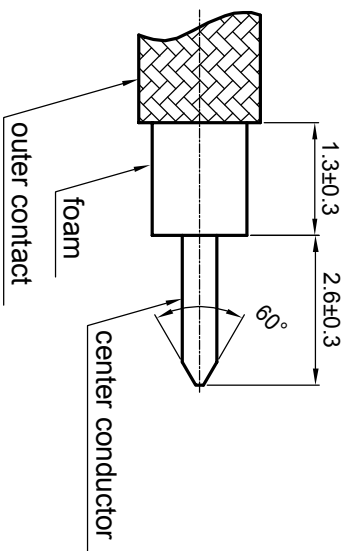


NOTES: (UNLESS OTHERWISE SPECIFIED)

1. Interface comply with IEC 169-16.
2. Part must be packaged to avoid any damaged during transportation.



recommended cable stripping dims



MATERIAL		SEE BOM OF DETAILS		TOLERANCES		THIRD ANGLE PROJECTION		TITLE	
SEE BOM OF DETAILS		SEE BOM OF DETAILS		Opface X ±1 1place X ±0.1 2place XX ±0.05 Angle ±5°				Zeeteq N,jack, cable	
FINISH		SEE BOM OF DETAILS		Remove burrs and sharp edges		GENERAL ECCENTRICITY		DWG NO.	
Plating part to be touched by gloves						0.06		5207.N.JSC.03.133	
Dimension apply before plating				-0.2 +0.2		DRAWN BY		SCALE	
XXX - measuring point for plating				-0.2 +0.2		Bilily		3:1	
SURFACE		VOLUME		APPROVED BY		DATE		DO NOT SCALE DRAWING	
						190c107		SIZE	
								A4	
								SHEET	
								1 of 1	
								REV.	
								S1	



REV.	DESCRIPTION	APPROVED	DATE	ECN