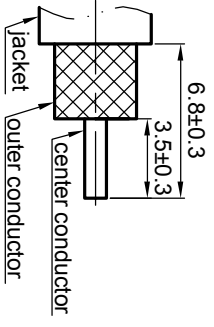
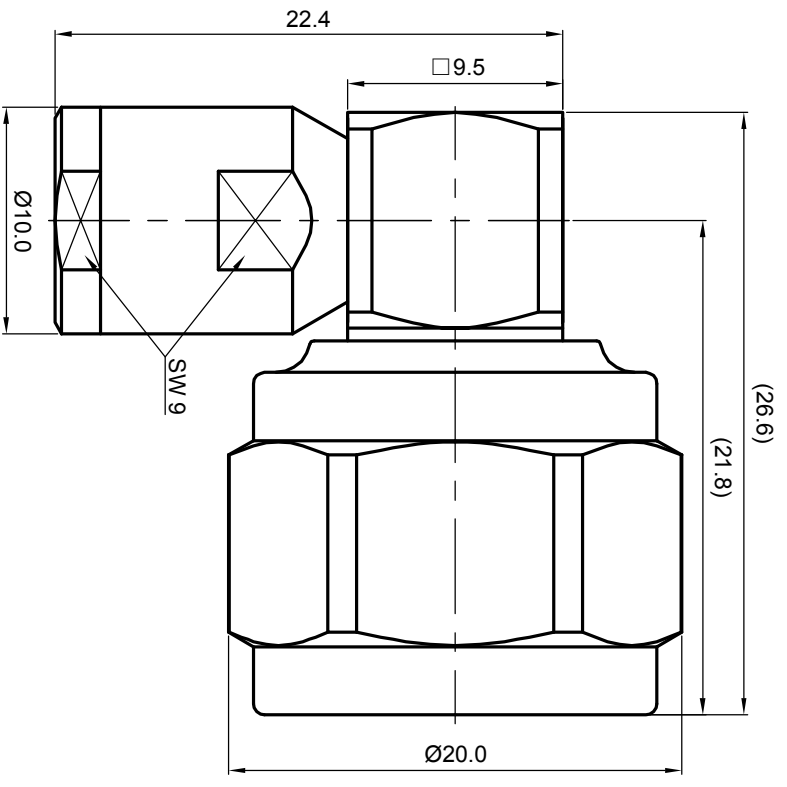


NOTES: (UNLESS OTHERWISE SPECIFIED)

1. Interface comply with IEC 169-16.
2. Part must be packaged to avoid any damaged during transportation.



Recommended cable stripping dims

REV.	DESCRIPTION	APPROVED	DATE	EON

MATERIAL SEE BOM OF DETAILS		TOLERANCES 0place X ±1 1place X ±0.1 2place XX ±0.05 Angle ±5°		THIRD ANGLE PROJECTION 		TITLE Zeeteq	
FINISH SEE BOM OF DETAILS		Remove burrs and sharp edges 		GENERAL ECCENTRICITY <input checked="" type="checkbox"/> 0.06		DWG. NO. 5189.N.PRC.09.133	
Plating part to be touched by gloves		-0.2 		DRAWN BY Billy Lei 20 Feb 08		NAME DATE	
Dimension apply before plating		+0.2 		CHECKED BY		APPROVED BY	
XXX - measuring point for plating		NOTICE: Those drawings and specifications are the property of ZEETEQ CORPORATION and used only for the specify purpose authorised by ZEETEQ		APPROVED BY		SCALE 5:1	
SURFACE		VOLUME		DATE		DO NOT SCALE DRAWING	
						SIZE A4	
						SHEET 1 of 1	
						REV. S1	

