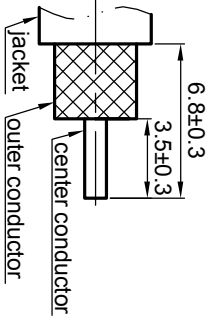
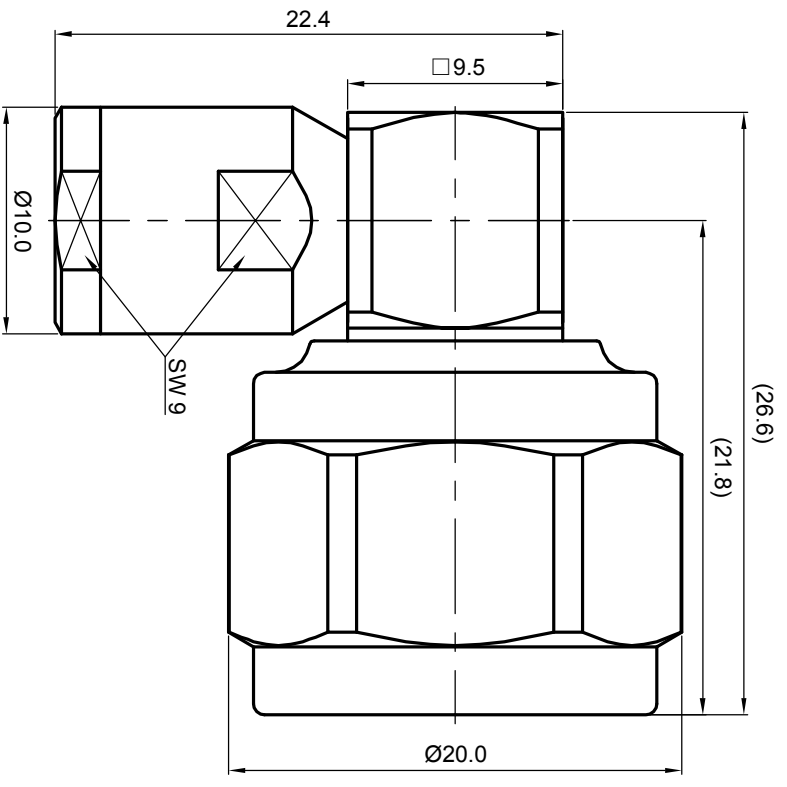


NOTES: (UNLESS OTHERWISE SPECIFIED)

1. Interface comply with IEC 169-16.
2. Part must be packaged to avoid any damaged during transportation.



Recommended cable stripping dims

REV.	DESCRIPTION	APPROVED	DATE	EON

MATERIAL		SEE BOM OF DETAILS		TOLERANCES		THIRD ANGLE PROJECTION		TITLE	
SEE BOM OF DETAILS		SEE BOM OF DETAILS		Opface X ±1 1place X ±0.1 2place XX ±0.05 Angle ±5°				SMA, plug, cable Zeeteq	
FINISH		Remove burrs and sharp edges		GENERAL ECCENTRICITY <input checked="" type="checkbox"/> 0.06		DRAWN BY Billy Lei CHECKED BY APPROVED BY		DWG. NO. 5188.N.PRC.08.133 REV. S1	
Plating part to be touched by gloves		-0.2 +0.2		NAME DATE 20 Feb 08		SCALE 5:1 DO NOT SCALE DRAWING		SIZE A4 SHEET 1 of 1	
Dimension apply before plating		NOTICE: Those drawings and specifications are the property of ZEETEQ CORPORATION and used only for the specify purpose authorised by ZEETEQ		TITLE SMA, plug, cable		SCALE 5:1 DO NOT SCALE DRAWING		REV. S1	
XXX - measuring point for plating		SURFACE		VOLUME		SURFACE		VOLUME	

