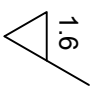
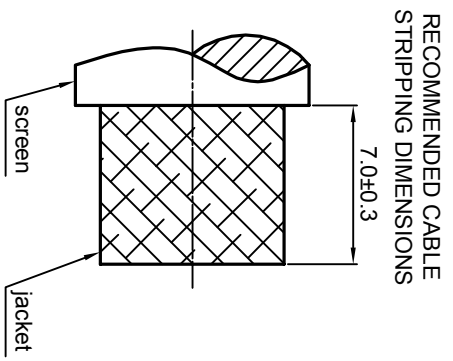
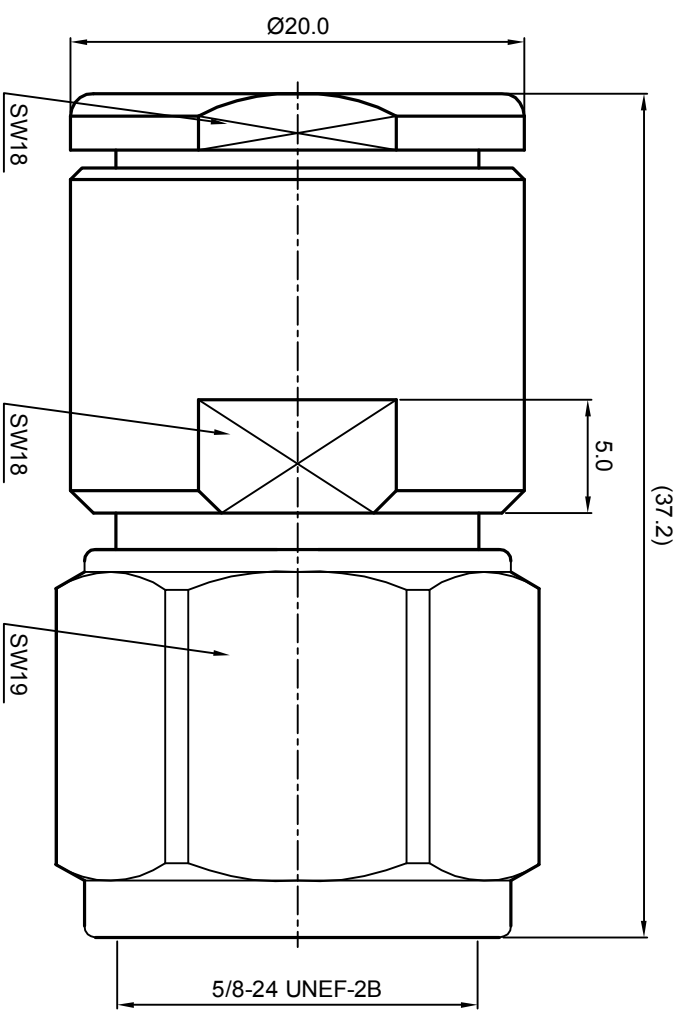


**NOTES: (UNLESS OTHERWISE SPECIFIED)**

- 1. The interface comply with IEC169-16
- 2. Part must be packaged to avoid any damaged during transportation

REV.	DESCRIPTION	APPROVED	DATE	ECN



MATERIAL <b>SEE BOM FOR DETAILS</b>		TOLERANCES Oplace X ±1 1place X ±0.1 2place XX ±0.05 Angle ±5°		THIRD ANGLE PROJECTION 		TITLE <b>N, PLUG, CABLE MOUNT</b>	
FINISH <b>SEE BOM FOR DETAILS</b>		Remove burrs and sharp edges 		GENERAL ECCENTRICITY <input checked="" type="checkbox"/> 0.06		DWG. NO. <b>5186.N.PSC.11.133</b>	
Plating part to be touched by gloves		DRAWN BY Danny		NAME Danny		DATE 04/Mar/08	
Dimension apply before plating		CHECKED BY		APPROVED BY		REV. S1	
XXX - measuring point for plating		SURFACE		VOLUME		SCALE 3:1	
						DO NOT SCALE DRAWING	
						SIZE A4	
						SHEET 1 of 1	

**NOTICE:** Those drawings and specifications are the property of ZEETEQ CORPORATION and used only for the specify purpose authorised by ZEETEQ