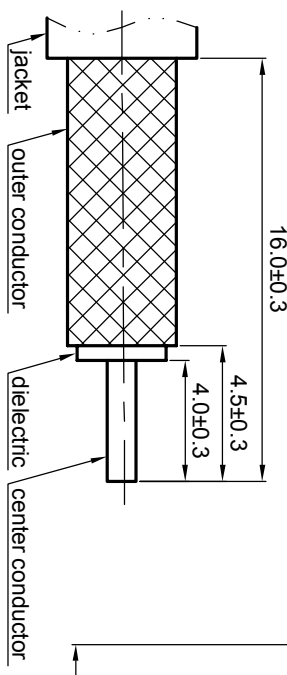
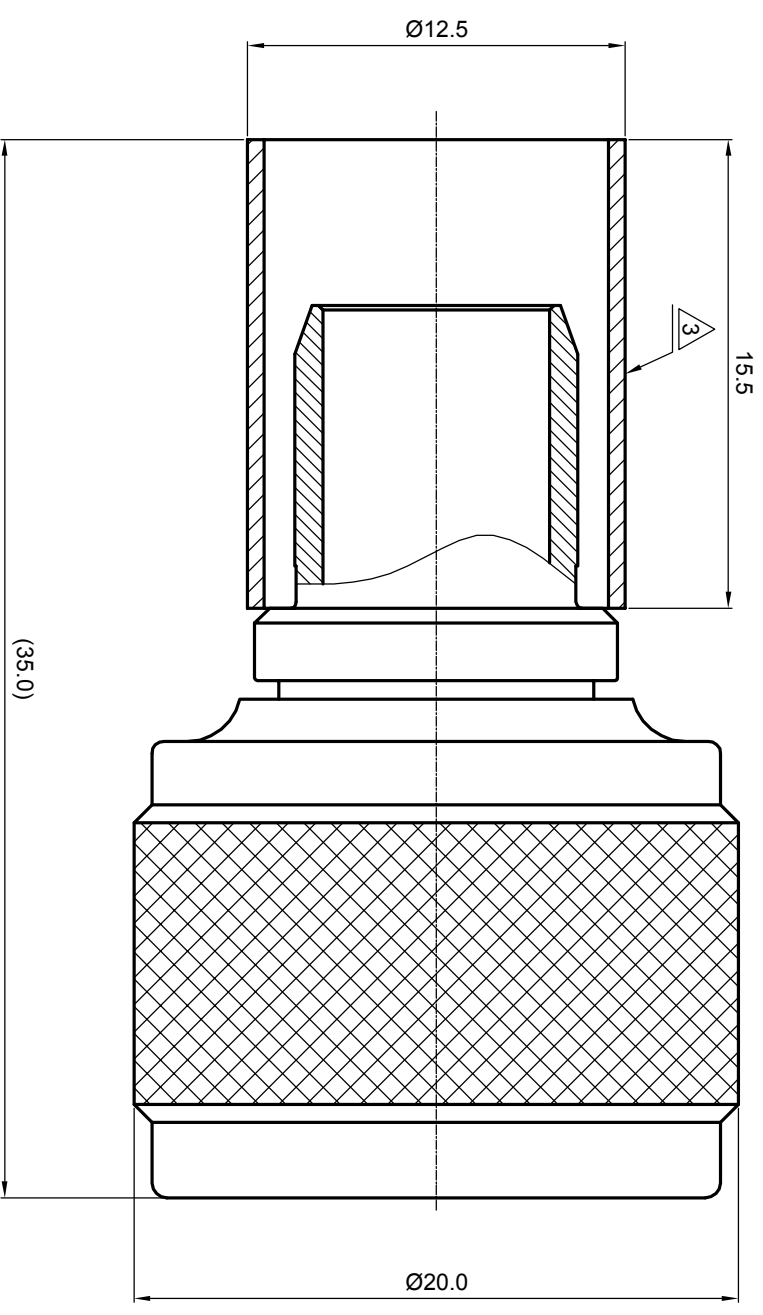


NOTES: (UNLESS OTHERWISE SPECIFIED)

1. Interface comply with IEC 169-16.
2. Part must be packaged to avoid any damaged during transportation.
3. After crimping dimension should be AF/SW 10.9

REV.	DESCRIPTION	APPROVED	DATE	EGN
A	REL TO PRODUCTION	Johnny	22Apr'08	



MATERIAL		SEE BOM OF DETAILS		TOLERANCES		THIRD ANGLE PROJECTION		TITLE	
SEE BOM OF DETAILS		SEE BOM OF DETAILS		Oplace X ±1 1place .X ±0.1 2place .XX ±0.05 Angle ±5°				Zee-teq N, plug, cable	
FINISH		SEE BOM OF DETAILS		Remove burrs and sharp edges 		GENERAL ECCENTRICITY <input checked="" type="checkbox"/> 0,06		DWG NO. 5044.N.PSC.12.133	
Plating part to be touched by gloves						NAME Colin DATE 26Nov07		REV. A	
Dimension apply before plating				DRAWN BY Colin		CHECKED BY		SCALE 4:1	
XXX - measuring point for plating				APPROVED BY		APPROVED BY		DO NOT SCALE DRAWING	
SURFACE		VOLUME		NOTICE: Those drawings and specifications are the property of ZEEITEQ CORPORATION and used only for the specify purpose authorised by ZEEITEQ.		SHEET 1 of 1			

