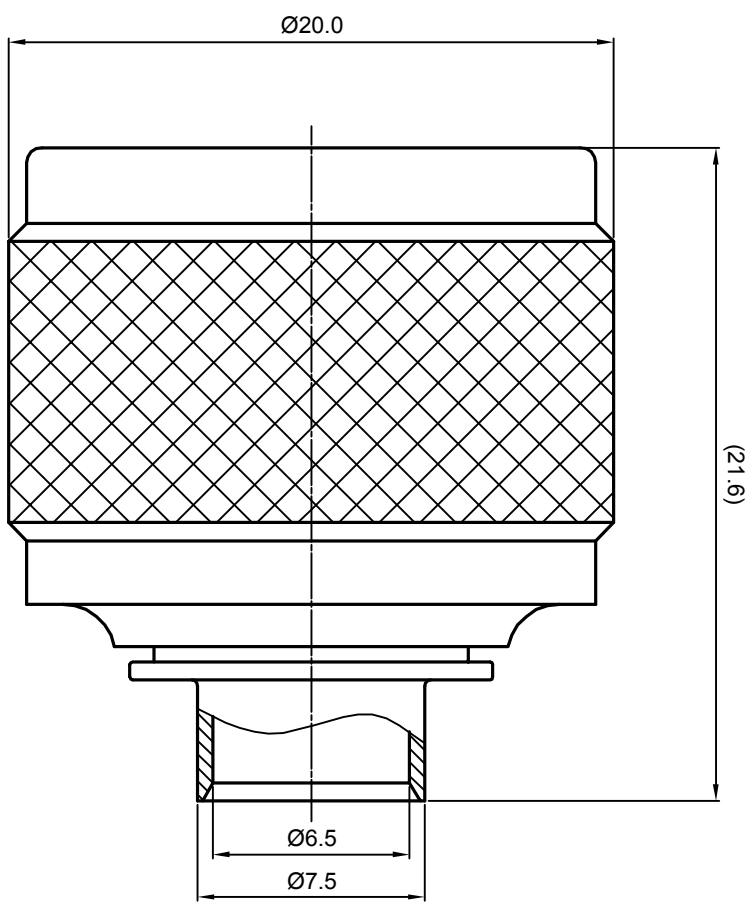


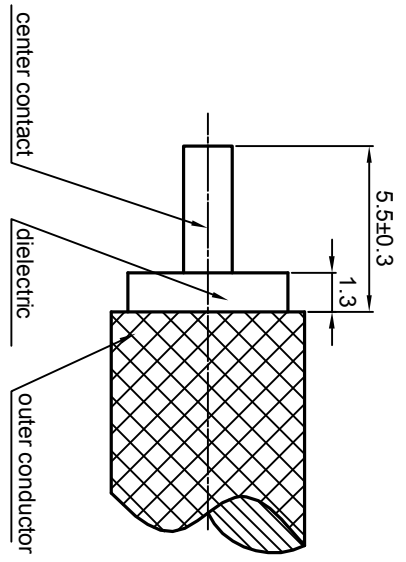
**NOTES: (UNLESS OTHERWISE SPECIFIED)**

1. The interface comply with IEC169-16
2. Part must be packaged to avoid any damaged during transportation.

| REV. | DESCRIPTION | APPROVED | DATE    | EON |
|------|-------------|----------|---------|-----|
| S2   | New design  | Danny.D  | 27Nov07 |     |
|      |             |          |         |     |



RECOMMENDED CABLE STRIPPING DIMENSIONS



|  |  |   |  |   |  |                                      |  |
|--|--|---|--|---|--|--------------------------------------|--|
| MATERIAL<br><b>SEE BOM FOR DETAILS</b> |  | TOLERANCES<br>Oplace X $\pm 1$<br>1place X $\pm 0.1$<br>2place XX $\pm 0.05$<br>Angle $\pm 5^\circ$   |  | THIRD ANGLE PROJECTION<br>                                    |  | TITLE<br><b>Zeeteq</b>               |  |
| FINISH<br><b>SEE BOM FOR DETAILS</b>   |  | Remove burrs and sharp edges<br>  |  | GENERAL ECCENTRICITY <input checked="" type="checkbox"/> 0.06 |  | DWG. NO.<br><b>5037.N.PRC.04.133</b> |  |
| Plating part to be touched by gloves   |  | DRAWN BY<br>Danny.D   |  | NAME<br>Danny.D   |  | DATE<br>27Nov07                      |  |
| Dimension apply before plating         |  | CHECKED BY  |  | APPROVED BY   |  | REV.<br>S2                           |  |
| XXX - measuring point for plating      |  | SURFACE   |  | VOLUME  |  | SCALE<br>4:1                         |  |
|  |  | NOTICE: Those drawings and specifications are the property of ZEETEQ CORPORATION and used only for the specify purpose authorised by ZEETEQ |  | DO NOT SCALE DRAWING  |  | SIZE<br>A4                           |  |
|  |  |   |  |   |  | SHEET<br>1 of 1                      |  |

