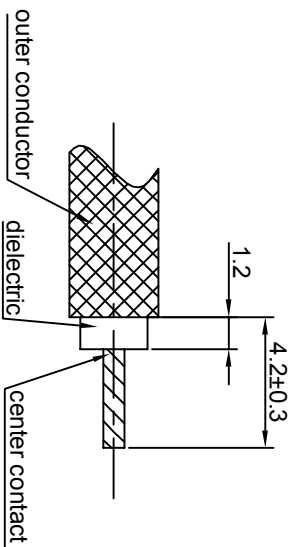
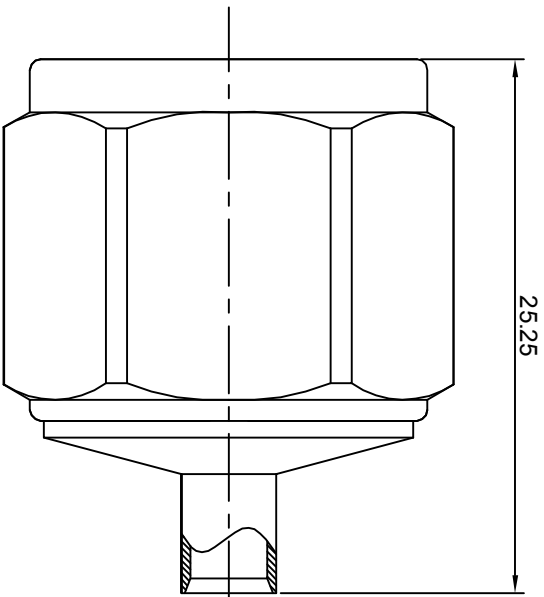


- NOTES: (UNLESS OTHERWISE SPECIFIED)**
- Interface according to IEC169-16.
  - Part must be packaged to avoid any damages during transportation.



REV.	DESCRIPTION	APPROVED	DATE	EON
A	REL TO PRODUCTION	Johnny	16Nov07	

MATERIAL SEE BOM FOR DETAILS	
FINISH SEE BOM FOR DETAILS	
Plating part to be touched by gloves Dimension apply before plating XXX - measuring point for plating	
SURFACE	VOLUME

TOLERANCES	
0place X ±1	
1place X ±0.1	
2place .XX ±0.05	
Angle ±5°	
Remove burrs and sharp edges	
	-0.1
	+0.1

**NOTICE:** Those drawings and specifications are the property of ZEETEQ CORPORATION and used only for the specify purpose authorised by ZEETEQ

THIRD ANGLE PROJECTION		
GENERAL ECCENTRICITY $\sqrt{0.06}$		
DRAWN BY	NAME	DATE
Collin	Collin	03Aug07
CHECKED BY	NAME	DATE
Joy	Joy	16Nov07
APPROVED BY	NAME	DATE
Johnny	Johnny	16Nov07

TITLE		Zee-teq	
N, PLUG, CABLE MOUNT			
DWG NO.	5035.N. PSC.02.133	REV.	A
SCALE	3:1	DO NOT SCALE DRAWING	SIZE
			A4
			SHEET
			1 of 1

